

# PPC-150P Series

## Compact Design & High Efficient Touch Panel PC



## PPC-150P

### FEATURES

- 15" TFT LCD with Capacitive Touchscreen
- DM&P Processor 933MHz / 1 GHz Onboard
- 512MB / 1GB / 2GB System Memory Onboard
- Compact Flash Type I/II / SD Slot / SATA Slim
- Fanless and Low Power Consumption
- Metal Chassis with Compact Design



CE



FCC



VCCI



VIBRATION



IP 65



TOUCH



Wi-Fi

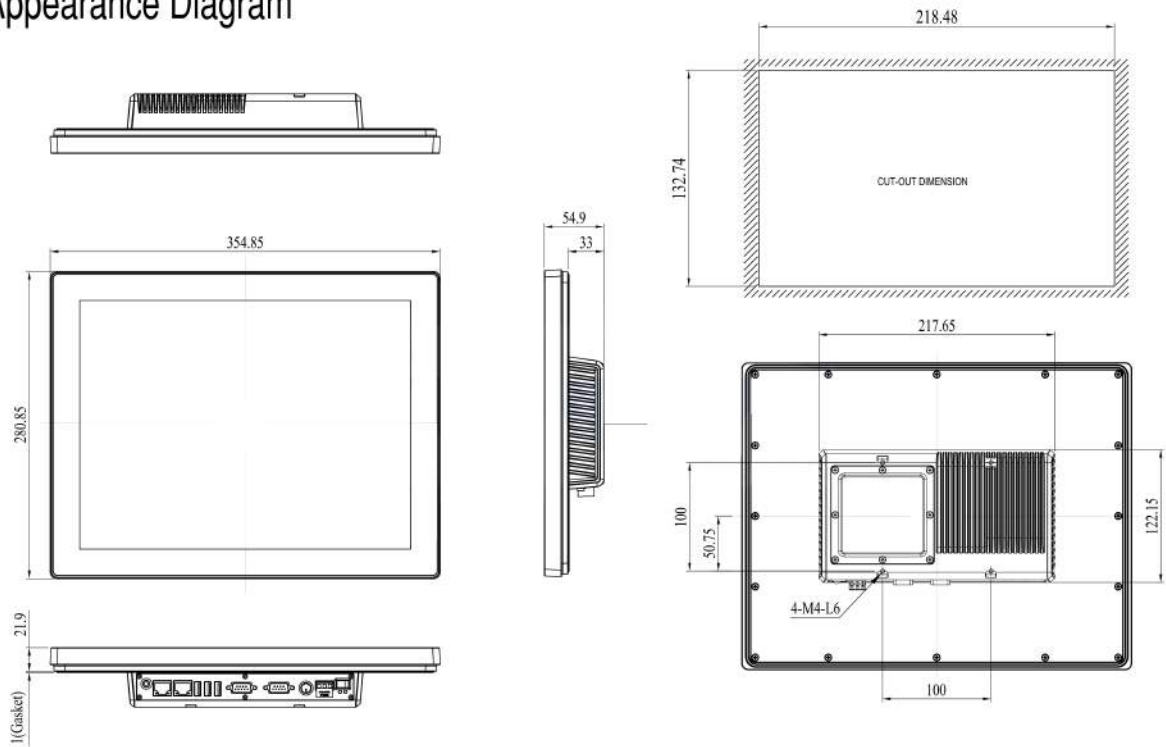


FANLESS

Specification	Model	PPC-150P
LCD Display	Type	XGA TFT LCD
	Size	15"
	Resolution (Pixel)	1024x768
	Colors	262,144
	View Angle	Vertical 160° / Horizontal 160°
	Brightness	250 cd/m2
	Backlight life	30,000 hrs
	Contrast Ratio	600 : 1
CPU	DM&P Vortex86DX2 933MHz / Vortex86DX3 1 GHz	
Cache	DX2 - L1: 16KB I-Cache, 16KB D-Cache / L2: 256KB Cache DX3 - L1: 32KB I-Cache, 32KB D-Cache / L2: 512KB Cache	
Memory	512MB / 1GB / 2GB DDRII (DDRIII) Onboard	
Watchdog Timer	Software Programmable from 30.5u to 512 seconds x 2 sets	
Serial Port	RS-232 / 422 / 485 x 2	
USB Ports	USB Ports (Version 2.0) x 3	
Ethernet	Integrated 10 / 100 M Ethernet (PoE optional)/ Giga Ethernet(optional)	
Audio	HD Audio-Realtek ALC262 CODEC	
Internal Drives	Compact Flash Type I/II Slot, SD Slot (optional), SATA Slim	
Touch Screen Type	Capacitive (up to 10 points)	
Expansion Slot	Yes (Max. 5 ports; Optional)	
Power Requirement	+12 ~ +24VDC	
Power Consumption	+24VDC@1A	
Operating Temperature	0 ~ +50°C (+32 ~ +122°F) / -20°C ~ +60°C (-4 ~ +140°F)	
Storage Temperature	-30 ~ +70°C (-22 ~ +158°F)	
Operating Humidity	0% ~ 90% Relative Humidity, Non-Condensing	
Operating System	Linux, Win CE, Win XP, Win 7, Windows Embedded Standard	
Dimensions	354.85x280.85x54.9mm (13.97"x11.06"x2.16")	
Weight	4.0 kg	
Certificate	CE, FCC, VCCI, Vibration, IP65 (Front Panel), Shock	

## DIMENSIONS

### Appearance Diagram



## I/O VIEW & REAR VIEW

Available for max. total 7 RS232 ports or 16-bit GPIO and 5 RS232 ports solution

